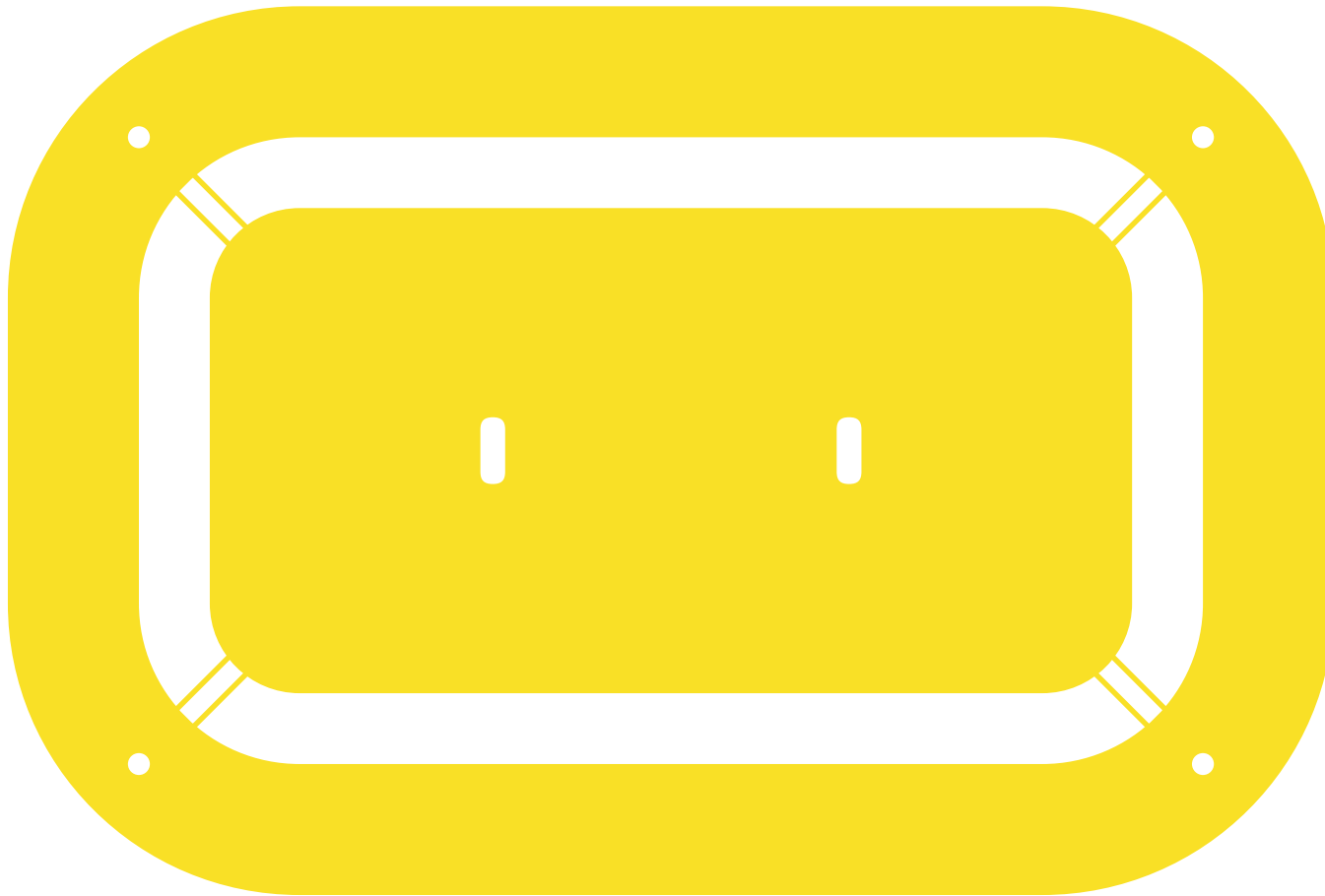
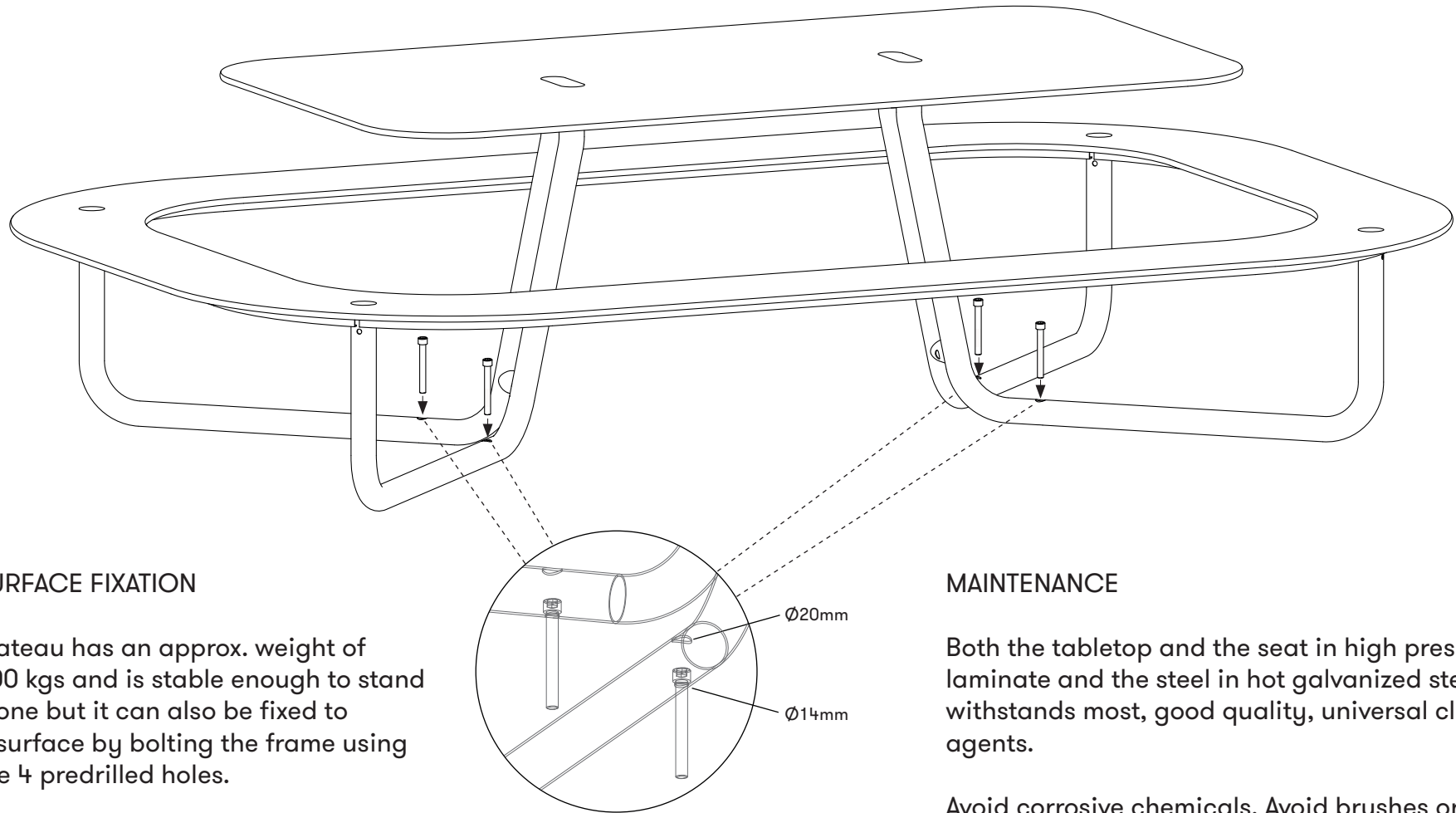


# PLATEAU #177 MONTING INSTRUCTION



## SURFACE FIXATION



## SURFACE FIXATION

Plateau has an approx. weight of 100 kgs and is stable enough to stand alone but it can also be fixed to a surface by bolting the frame using the 4 predrilled holes.

Attention: The upper hole is  $\text{Ø}20\text{mm}$ , the lower hole is  $\text{Ø}14\text{mm}$ .

This enables the bolt head to be hidden in the frame.

## MAINTENANCE

Both the tabletop and the seat in high pressure laminate and the steel in hot galvanized steel withstands most, good quality, universal cleaning agents.

Avoid corrosive chemicals. Avoid brushes or sponges with abrasive surfaces.

By much dirt a high-pressure cleaner can be used.